



An  *Direct Inc. Company*

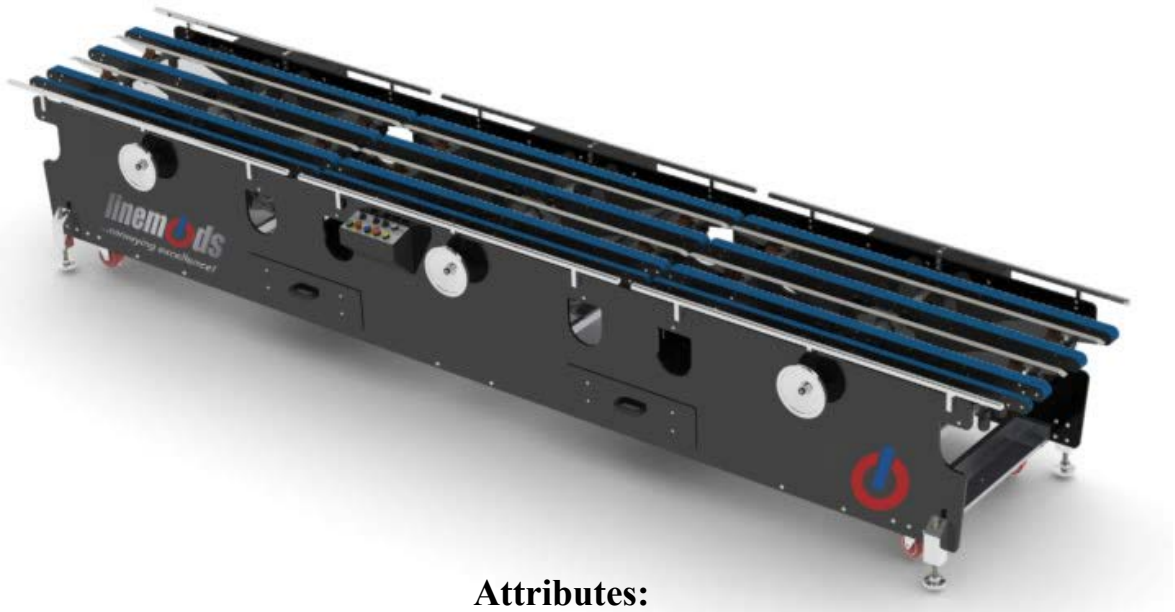
## VMC 3015

### Product Capacity:

Length: 2''+ / Width: 1-30''+ / Speed: +550' minute

VMC Configuration: (5' x 5' x 5')

Linemods premium vacuum transport/finishing conveyors - Quality without compromise, from the innovative vacuum system to the powder coated aluminum frames. Perform quick, easy, tool-less setups with the highest quality deck components available.



### Attributes:

- VFD Vector drive
- Bi-directional
- 1/2'' Powder coated aluminum frames
- Clutched handwheel
- Adjustable height (6'')
- Rubber coated vacuum conveyor belts
- I/O: Start, Stop, Feed and Speed
- Interchangeable 1'' & 2'' drives
- Cantilevered infeed and discharge
- Split vacuum channels
- 2.5 HP Vacuum per section
- Tool-less Adjustments
- Easy access vacuum filter
- Storage drawer

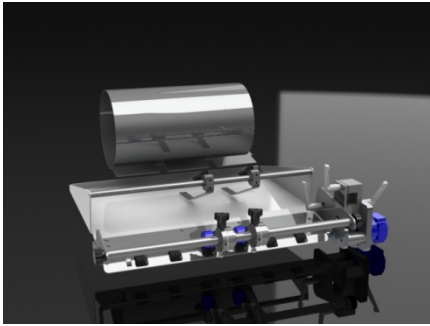
### Vacuum system is engineered for application:

- Self-modulating
- Quiet
- Powerful
- Stall-resistant
- Efficient
- Expandable

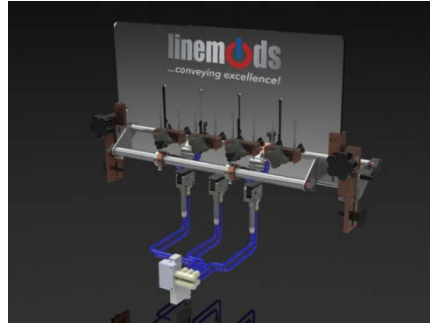
For more information, visit [www.smsdirectinc.com](http://www.smsdirectinc.com) or call 815-524-7700

### Optional Add-On Components:

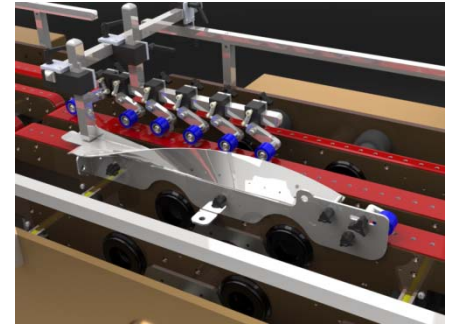
#### QC – Up-Divert



#### Flip Plate (Tipper Plate)



#### Plow Kit



- Tab and Flap Plows
  - Tipper Plates
- Turn Transports
- Feeder Racks
- Glue Head Mounts

- Jump/Skip Perf Modules
- Infeed and Discharge Diverters
- Up Diverters (For Rigid Products)
- Custom Folder/Gluer Attachments for “Impossible” jobs

**Check our website for updates and all available deck attachments!**

## Design:

- ✓ Tool-less design – No tools needed to perform most set-ups/changeovers
- ✓ Vacuum belt construction is of a friction resistant backer with a 55D rubber cover, perforated for vacuum integration – The slippery backer provides an extremely low coefficient of friction (belt to fixed surface).
- ✓ Each sector of transport is vacuum regulated (2 sectors per transport). This vacuum system is engineered for consistent and even pulldown “loaded” or “open deck” – **STALL RESISTANT AND POWERFUL**
- ✓ Component design – All pivot points have bushings - expense not a factor in assembly – all components designed to last.
- ✓ No tab/air blasters - Linemods utilizes air assisted mechanical ramping assemblies that are easy to set-up and use a fraction of the air – Ties into existing glue system controller or Linemods multifunction PLC.
- ✓ 2-year warranty – We are confident with our parts/equipment designs and back new equipment with a 2 yr. warranty

## System Details:



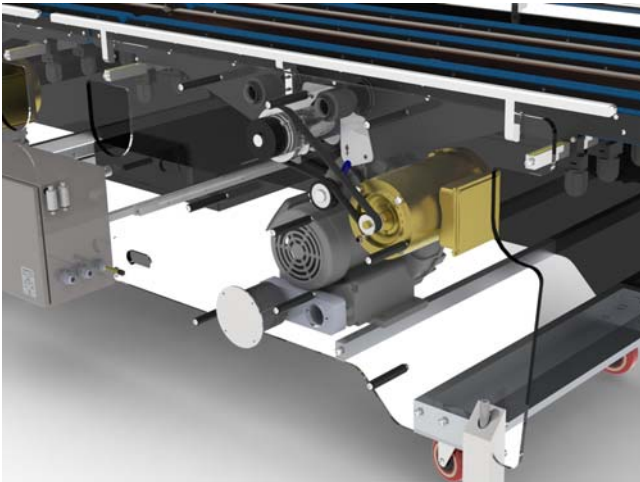
Large 1-1/2" ID bellows assures uniform vacuum with high flow throughout vacuum transports - When transports are adjusted side to side, the bellows extends or retracts to fit the exact length – No sagging hoses...

Operator controls are simple to understand and consist of premium quality components. We offer as standard: Start, stop, jog, and feed control. (Feed signal: dry contact or 24VDC - There is a built in "interlock" to prevent feed signal unless conveyor is moving)



Standard I/O Set:

- Start: Discrete 24v input (sustained "on")
- Speed Ref Input: 0-10vdc
- Feed Signal Output dry or 24vdc
- ESTOP Input and output loops



All VMC units are performance engineered to deliver an optimum supply of vacuum without stalling conveyor or stressing pump – We use regenerative vane vacuum system with pressure sensors to precisely control the vacuum pressure – Linemods offers the most innovative, high performance vacuum conveyor system available.

### Feature attributes:

- Solid construction
- Simple electrical/drive components
- Vacuum consistency
- Easy access filter

### VMC Filter Cartridge:

Filter system keeps foreign materials from entering pump and is accessed in seconds – Helps prevent glue from entering pump body



## VMC Vacuum Transport Design:

Two tube widths available to handle most any job (1" and 2") - Design promotes quick removal if desired or easy adjustment – Belts can be changed in minutes. – Vacuum tubes are split into two chambers – this ensures constant vacuum where you need it the most.

- Skewable (stream separation and side register)
- Built in side guides (quick register – full length)
- Adjustable (built in scales to streamline set-ups)
- Removable (without tools in minutes)
- Custom (belts/transports available)
- 3' and 5' lengths (standard builds)



### General Machine Specs:

Standard Height (700-880-29 )

L: 186"

W: 47"

H: 29-35" (Floor to deck)

Weight:

Extended Height (700-880-33)

L: 186"

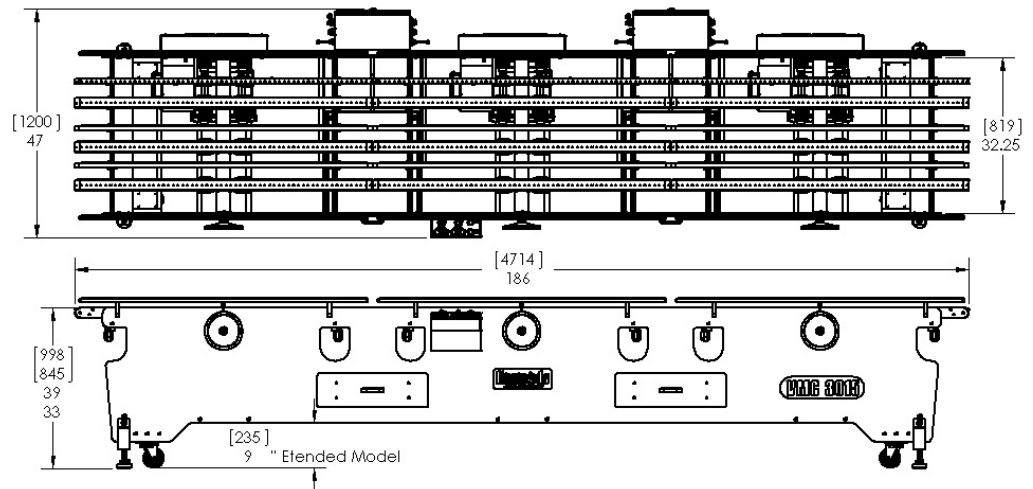
W: 47"

H: 33"-39" (Floor to deck)

Weight: 1350 Lbs.

Power: 230V

Single Phase (25 amps)



### Each 5' VMC section Contains

- (3) 2" x 5' Transports
- (1) 1" x 5' Transport
- (2) Fixed Guides
- (4) Bellows
- (1) Clutched Handwheel
- (1) 2.5HP Vacuum Pump