

RSC 2015



Product Capacity: Width: 2-20.5" / Length: 4-24" (DOT)
Max speed: 450'/minute
Configuration: Register 4'/VMC 5' x 5' x 3'

Linemods RSC 2015 (Right) Register/Scoring/Perforating/Slitting/Tipping/Folding Conveyor – Provides means for precision registration whether in-line or at a 90 – Quality without compromise – Dual Scoring module provides absolute precision and control of scores, perfs and slitting – VMC section(s) perform plow folding, product tipping, flipper plate and other processes with quiet and effortless set-up. – Our conveyors use the latest technology in vacuum – the most effective systems available today. - Effectively scores 28# bond+...

Features/Attributes:

- **Virtually all tool-less adjustments**
- ½" Powder-coated aluminum frames
- Automatic vacuum modulation
- Micro-adjust side & skew edge-guide
- Parallel exit roller
- Urethane nip wheels w/ball bearings
- Ultra precise scoring/slitter module
- (1) 5' VMC transport sections
- (2) 3' VMC transport section
- Storage drawers
- Easy to set-up/maintain
- Ultra smooth drive-train
- I/O: Start, Stop, Feed and Speed



Optional Components:

- Transfer module
- Parallel infeed rollers
- Scanners
- Doubles detection
- Plows
- Tipper plate
- Up-Diverter
- Speed following drive system

Units can be customized for your application - Right to Left option also available

Base Features:

Handwheels:

Assists in fast - precision set-ups – These are clutched for safety



OP Console:

Simplistic design assures no language barrier or confusion as to function –

Roller Register:



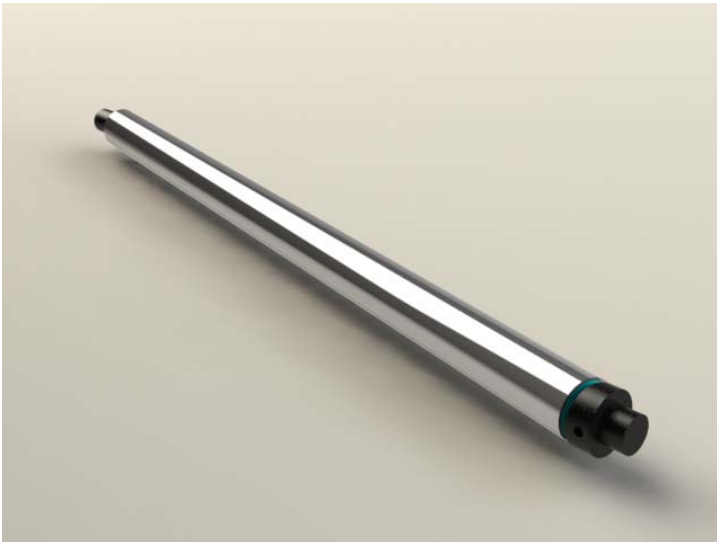
Features:

- **Infeed/transfer parallel rollers**
 - **Stainless steel rollers and shafts**
 - **Large sealed bearings**
 - **Vibration dampening**
- **Register Guide**
 - **Hardened steel shaft w/mating linear bearing**
 - **Precision adjustments w/built in scales**
 - **Slop-Free**
- **Lower Traction Roller Drive**
 - **Urethane coated Drivebelt**
 - **Contoured parallel roller wrap**

Parallel Exit roller

Transfer Roller:

Assists in product entering scoring module or transfer module – Bridges excess gap – Assists in registration – Engineered to prevent “buckling”



Tube Design:

Stainless steel tubes with vibration isolators and ball bearings – Each tube can be easily removed independently in the event of service or repair.

Register Guide:

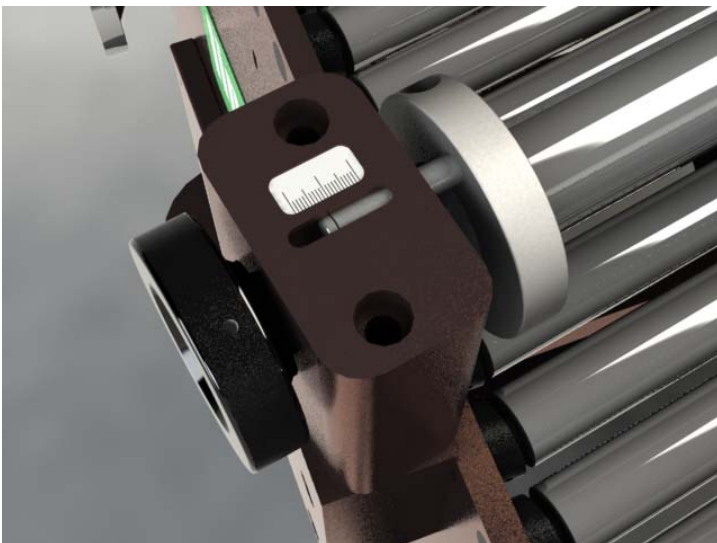
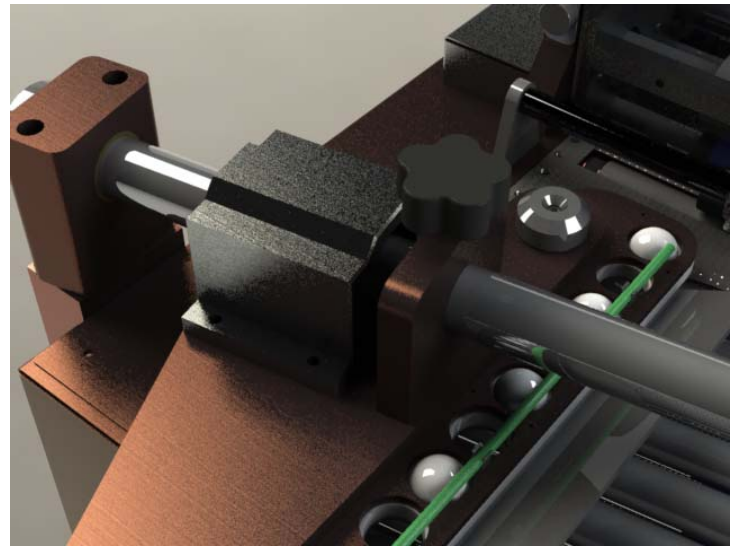
Engineered for absolute precision – Utilizes a industry standard design with enhanced features



- **Hardened steel linear shaft**
- **Precision lateral micro-adjust**
- **Precision skew micro-adjust**
- **Premium Linear Bearing**
- **Run-out (Slop) free design**
- **1-1/4" Transfer balls**
- **3/8" Product capacity**

Main Side Adjustment:

Designed for quick, smooth lateral adjustment, Features a maintenance-free precision linear bearing and a non-marring, soft grip locking knob – Shaft is precision ground and hardened (C58). The combination of these items equate to a maintenance-free smooth operating adjustment.

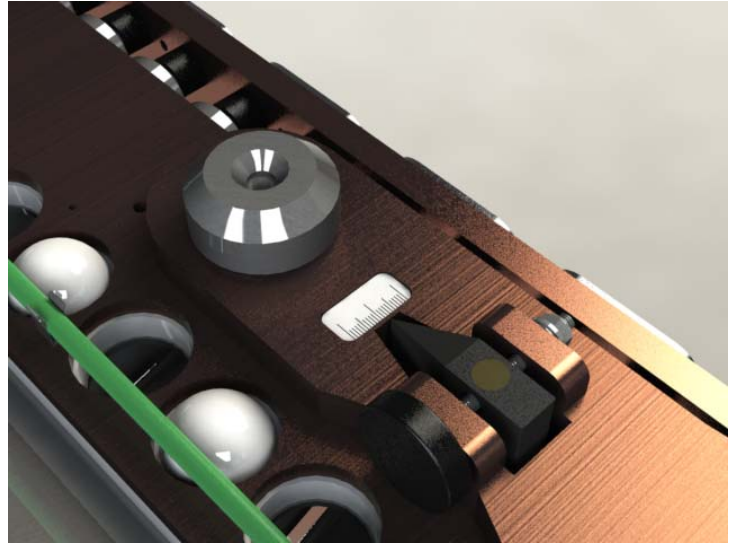


Micro Side-Guide Adjustment:

Designed for precision adjustment, Features built-in recessed scale - 1 turn = .070" (mm or inch scales available) – Run-out free design

Micro Skew Adjustment:

Tool-less skew adjustment features a large knurled thumbscrew - **1 turn = .1 degrees**



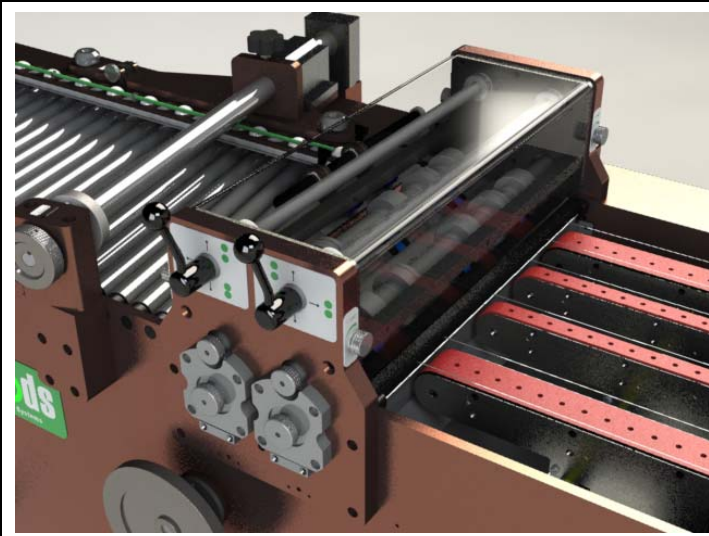
Enhanced Roller Drive:



Urethane coated belt provides extra grip - Belt partially wraps each tube providing consistent drive / response on all rollers.

Scoring or Transfer Module

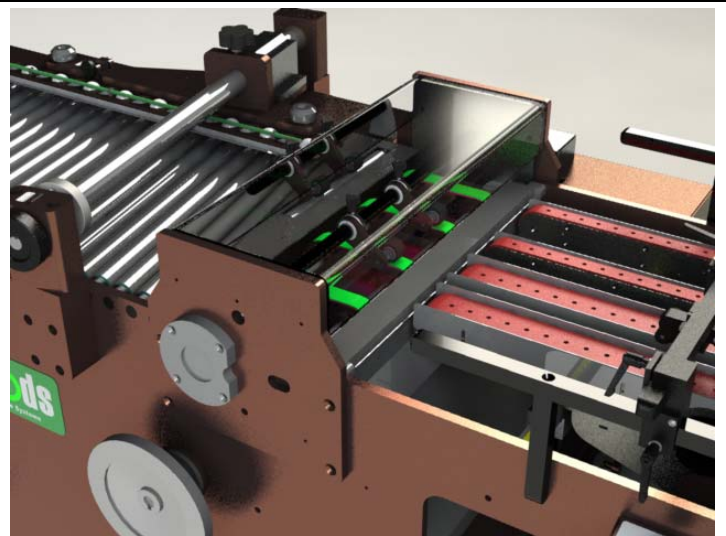
Provides the option of future expandability – Units can be interchanged in less than ½ hour



Scoring module:

Used for scoring, perforating or slitting paper

2 Minute Access



Transport Module:

Ink jetting, scanning, QC verification, gluing and more
– provides simple option when scoring unit may interfere – Books, rigid products, etc...

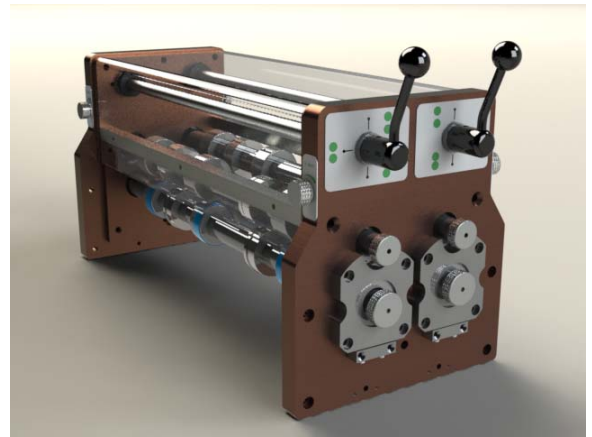
**Modules/machines for custom rotary options
Please inquire on your project needs!**

Scoring/Perfing/Slitting Module:

- Super easy collar maintenance (under 5 minutes)
- Designed for use with **35mm x 58mm** scoring/perf collars
- Large ball bearings (R16 &R20)

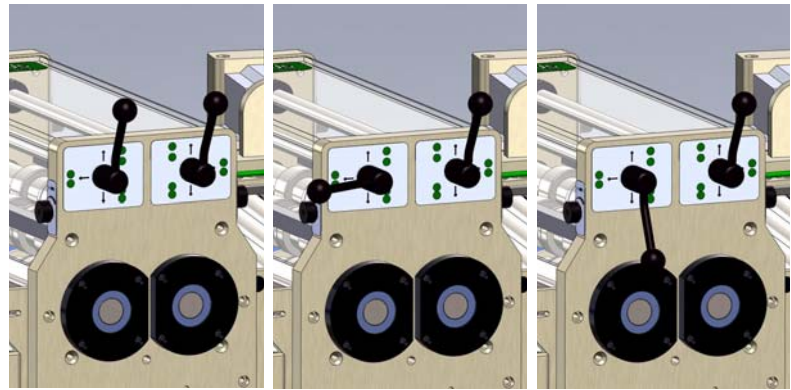
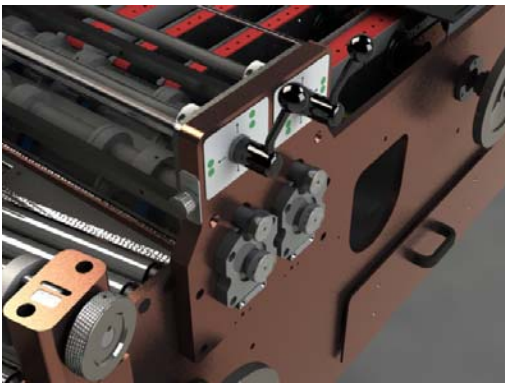
Optional:

- Parallel helical drive gears (to drive upper roller)
- Scoring collars/slitters to your preference and qty



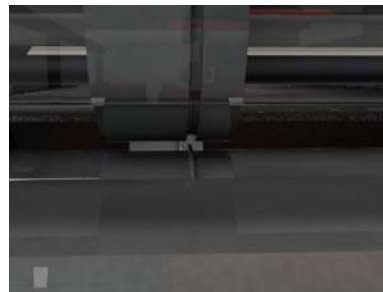
Engagement Levers:

Accurately actuates upper shafts to apply precision scores or perfs – 3 positions: up is “off”, horizontal is “adjustment mode” and down indicates “on”. Once set, levers stay put...



Pressure Micro Adjust:

Parallel/Micro Adjustment - Truly is a micro adjustment.
1 turn = .0005"

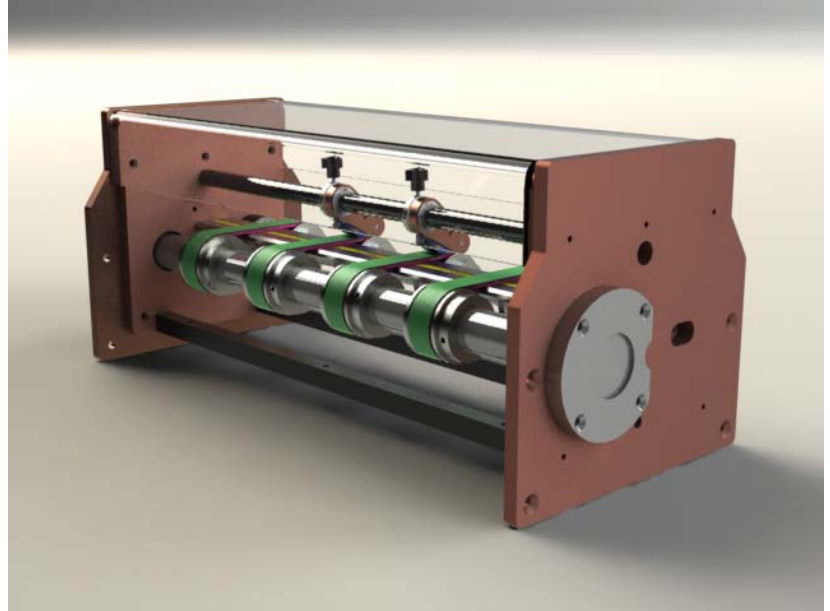
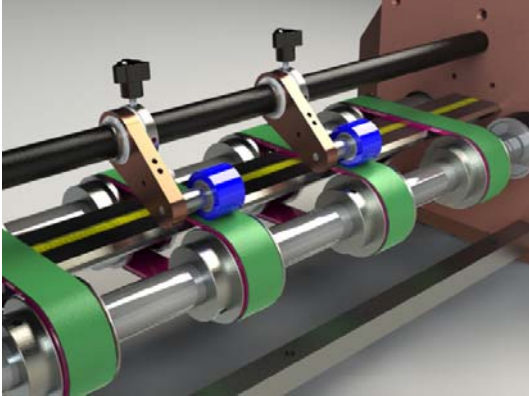


Urethane Drive Collars:

Provides absolute grip in product without “buckling”
Easy replacement and maintenance

Transfer Module (optional)

- Rubber/Urethane coated drivebelts
- Urethane nip wheels
- Built-in scale
- Custom brackets to fit your needs



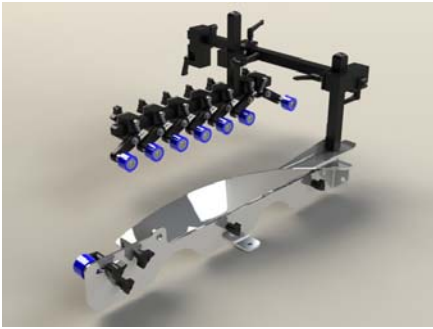
3' or 5' VMC Transport Sections

Simple operation, adjustment and maintenance

All large bearings throughout
(12 R10s per tube) –

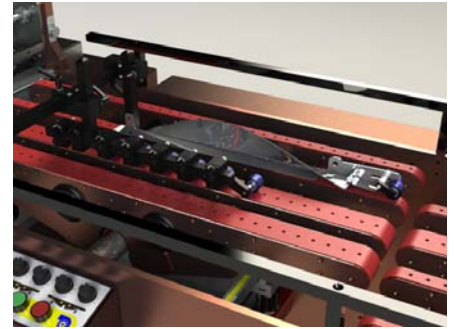
Allows up to 2 degrees of angle for stream separation

We can build your system(s) to any preferred configuration using 3' and 5' VMC units. Max sub unit length 15' or you can order as modular.



Plows: Ultra-fast set-ups

- 12ga stainless steel construction
- #8 mirror finished
- Premium quality in all components



Performance engineered – You asked - We listened:

- Rubber coated drive-belts
- High quality deck components
- High performance / “stall-free” vacuum system
- Virtually tool-less/non marring adjustments

RSC 2015 Machine Footprint:

General Machine Specs:

- L: 187.5”
- W: 35.4”
- H: 40”
- Weight: Apprx.1700 lbs.
- Power: 230VAC Single Phase/25A
- Air: 5CFM @ 35PSI - Max

