



DPI 206 (700-947)

Product Capacity:

Width: 1-20'+ / Speed: +550' minute

Configuration: (3' VMC x 3' DRI)

Linemods VMC line vacuum transport/finishing conveyors - Quality without compromise, from the innovative vacuum system to the powder coated aluminum frames. Perform quick, easy, tool-less setups with the highest quality deck components available – We have designed this conveyor line from the ground up to cover the most demanding of environments. Plow folding, scanning, ink jetting or placement - Linemods provides outstanding performance and operator versatility and has proven to be the most robust, user friendly production equipment available today.

Attributes:

- Advanced technology vacuum system
- 2.5 HP of vacuum
- Easy access vacuum filter
- VFD vector drives
- Bi-directional
- 1/2" Powder coated aluminum frames
- Adjustable height (6")
- Rubber coated/Silicone vacuum conveyor belts
- 1", 2" (& 5" Optional) vacuum transports
- Tool-less adjustments
- Cantilevered infeed and discharge
- Adjustment scales
- Built in / sealed encoder locations
- I/O: Start Stop Feed and Speed

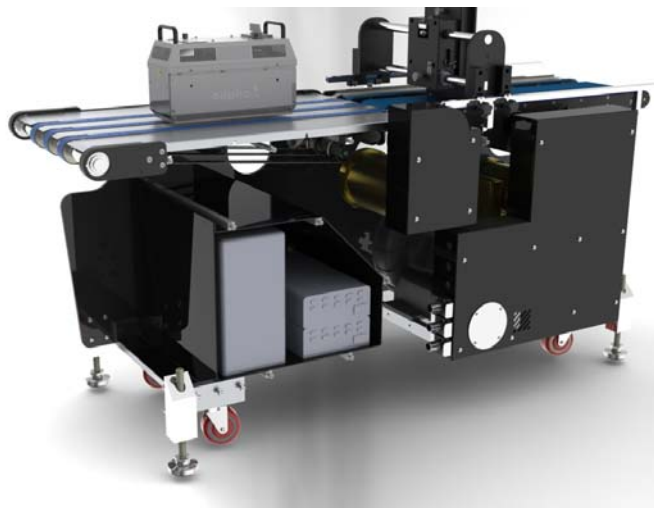


Vacuum system is engineered for application:

- Self-modulating
- Quiet
- Powerful
- Stall-resistant
- Efficient
- Expandable

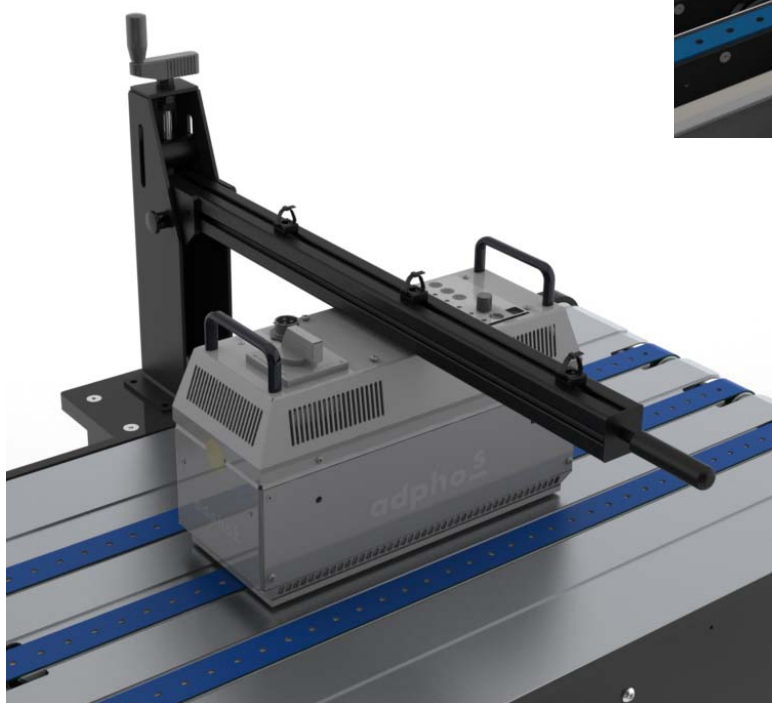
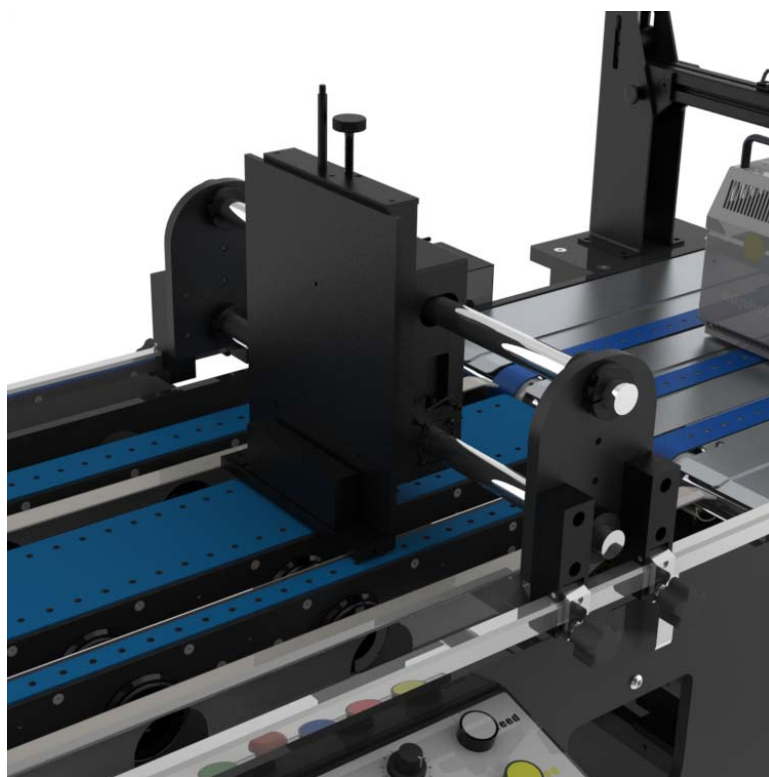
Linemods equipment is designed with a balance of easy operation, longevity and innovation from over 25 years of experience in the post press/production environment – All equipment equipped with a 2-year built-in warranty.

Internal protected storage for you IJ controllers and PC -Side panel is removable for easy cable management

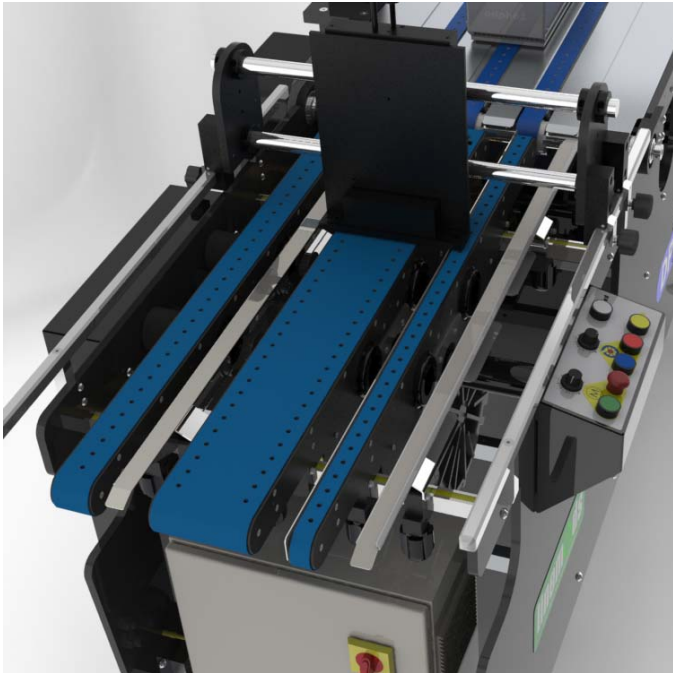


IJ mounting brackets available for any VMC module (Optional):

- MCS Eagle
- MCS Falcon
- Kodak PH



Adphos M3 Dryer shown with tilt away mount (Optional) Adphos #:



Standard VMC Transport Configuration (203):

- (2) 2" x 3' Drives
- (1) 1" x 3' Drive
- (1) Fixed Support
- (2) Standard VMC Edge Guides

Standard DRI Transport Configuration (203):

- (3) 3' x 1-1/2" Vacuum Transport
- Shielding/Flashing Full Width

Optional VMC Components:

- 5" x 3' Transport (700-515)
- CR 80 Guide 3' (707-935)
- Register Guide 3' (700-950)
- Opening Station (700-993)
- Plow Kit L (700-032)
- Plow Kit R (700-031)
- Tab Plow Kit L (700-044)
- Tab Plow Kit R (700-043)
- Crease Pressing Module (700-493)
- Tipper Plate (700-905)
- Universal Inkjet Brackets (700-693)
- MCS Eagle / VMC Mounting Adapter Kit (700-956)
- Glue Head Mounting System (700-537)
- XY Glue Head Mount (700-693)
- Photo Eye Mount (700-536)
- Diverter Kit Infeed (Inquire)
- Diverter Kit Discharge (Inquire)
- Multifeeder Slider Tipping Mounts (700-505)
 - MFT Glue Bracket (700-869)
- Feeder Rack – Infeed (Inquire)

VMC System Details:



Large 1-1/2" ID bellows assures uniform vacuum with high flow throughout vacuum transports - When transports are adjusted side to side, the bellows extends or retracts to fit the exact length – No sagging hoses...

Operator controls are simple to understand and consist of premium quality components. We offer as standard: Start, stop, jog, and feed control. (Feed signal: dry contact or 24VDC - There is a built in "interlock" to prevent feeding unless conveyor is moving)

Standard I/O Set with all VMC type machinery:

Inputs:

- Start: Discrete 24v input (sustained "on")
- Speed Reference Input: 0-10vdc (Adjustable)
- ESTOP (+24 = System OK)

Outputs:

- Feed Signal Output (Drive Interlocked) dry or 24vdc
- ESTOP Signal (+24v System OK)
- Speed Reference Output: 0-10vdc (Adjustable)



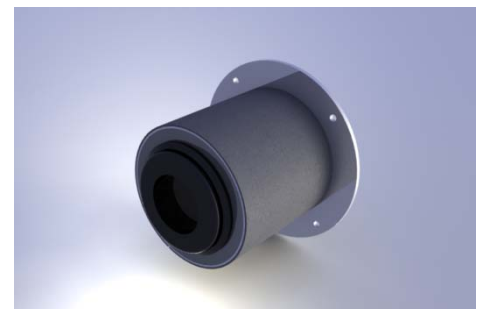
All VMC units are performance engineered to deliver an optimum supply of vacuum without stalling conveyor or stressing pump – We use regenerative vane vacuum system with pressure sensors to precisely control the vacuum pressure – Linemods offers the most innovative, high performance vacuum conveyor system available.

Feature attributes:

- Solid construction
- High performance drive components
- PRECISE Adjustable vacuum consistency
- Simple Maintenance

VMC Filter Cartridge:

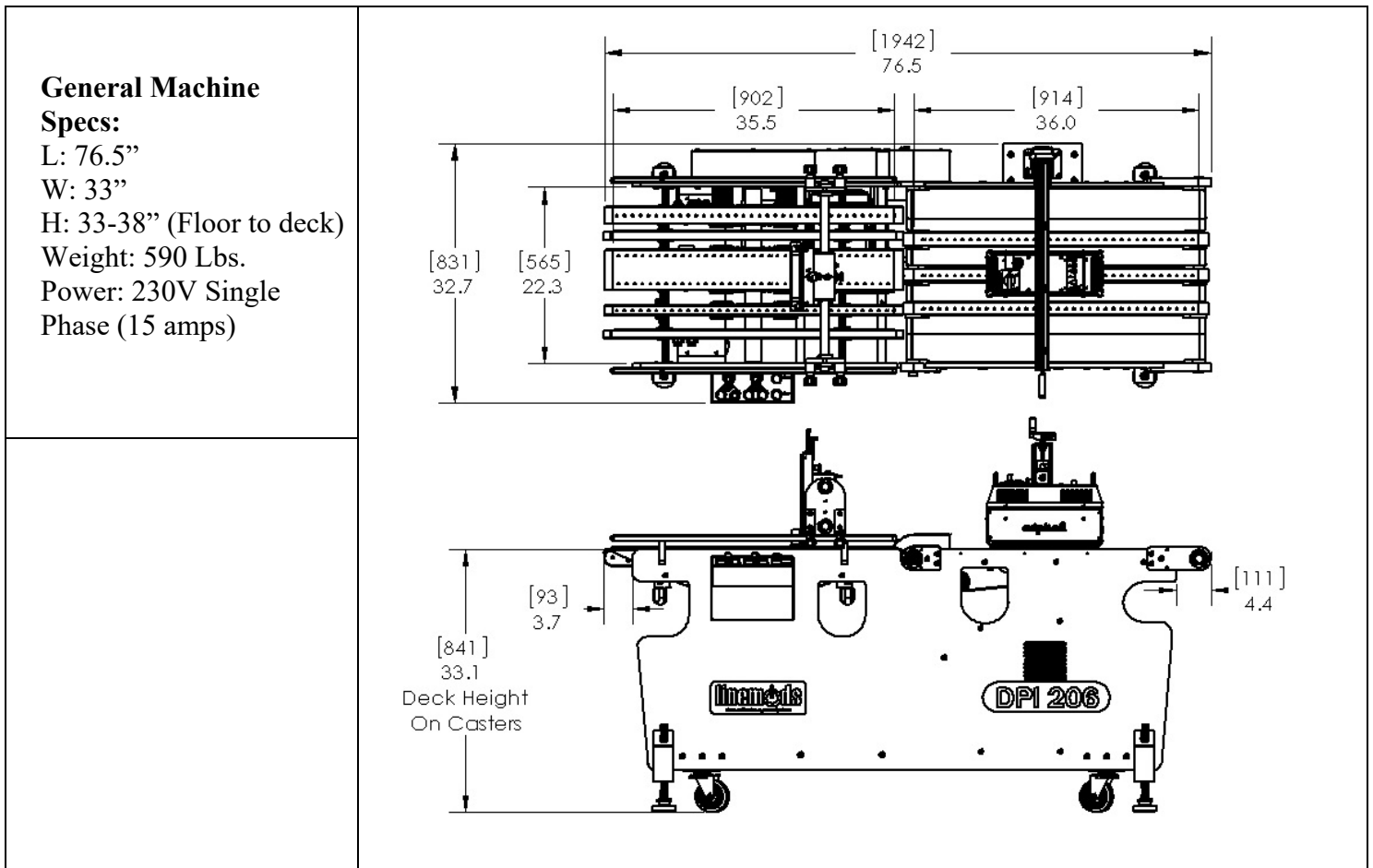
Filter system keeps foreign materials from entering pump and is accessed in seconds – Helps prevent glue from entering pump body



VMC Vacuum Transport Design:

Three tube widths available to handle any job (1", 2" & 5") - Design promotes quick removal and easy adjustment. Belts can be changed in minutes. – Vacuum tubes are split into two chambers – this ensures consistent vacuum where you need it the most.

- Skewable (stream separation and side register)
- Built in side guides (quick register – full length)
- Adjustable (built in scales to streamline set-ups)
- Removable (without tools in minutes)
- Custom (belts/transports available)
- 3' and 5' lengths (standard builds)



We can create equipment to fit your needs with optional colors, deck heights/lengths, segment configurations and special mountings/guarding.