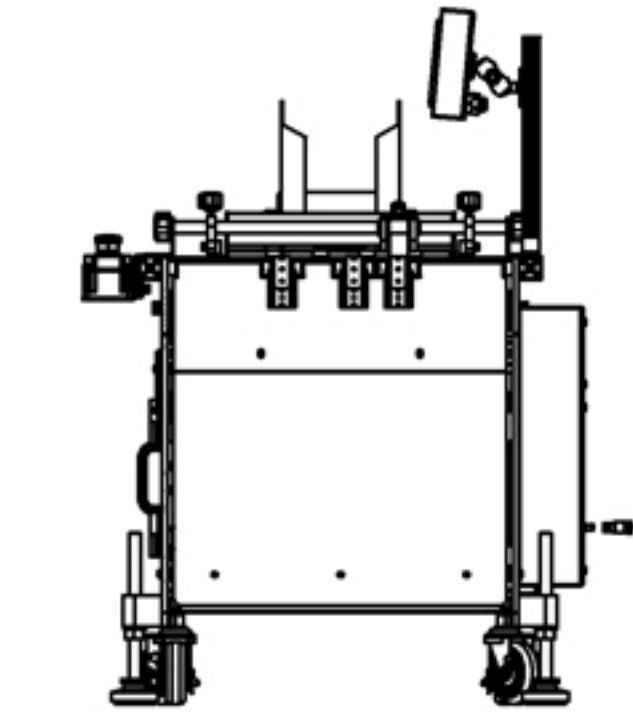
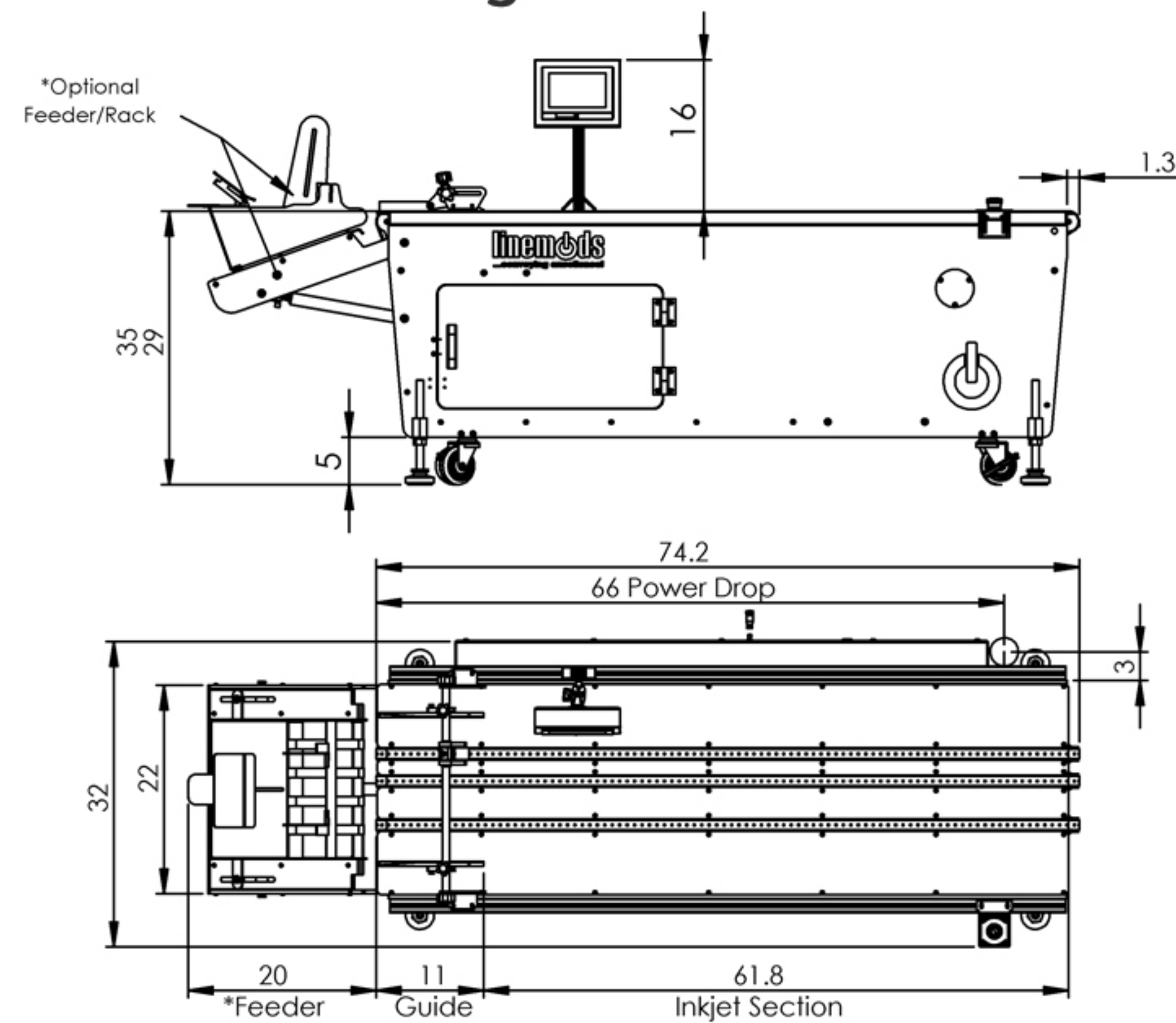




High Performance Inkjet Bases and Packaging Equipment

Stealth 206

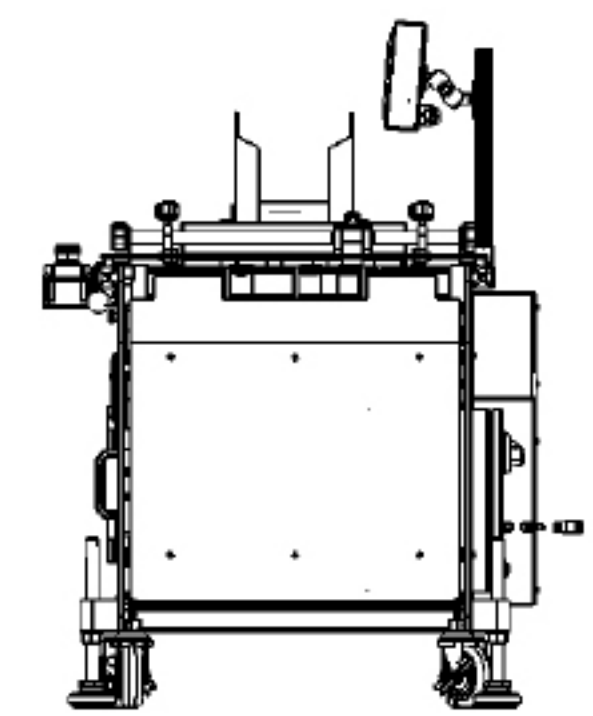
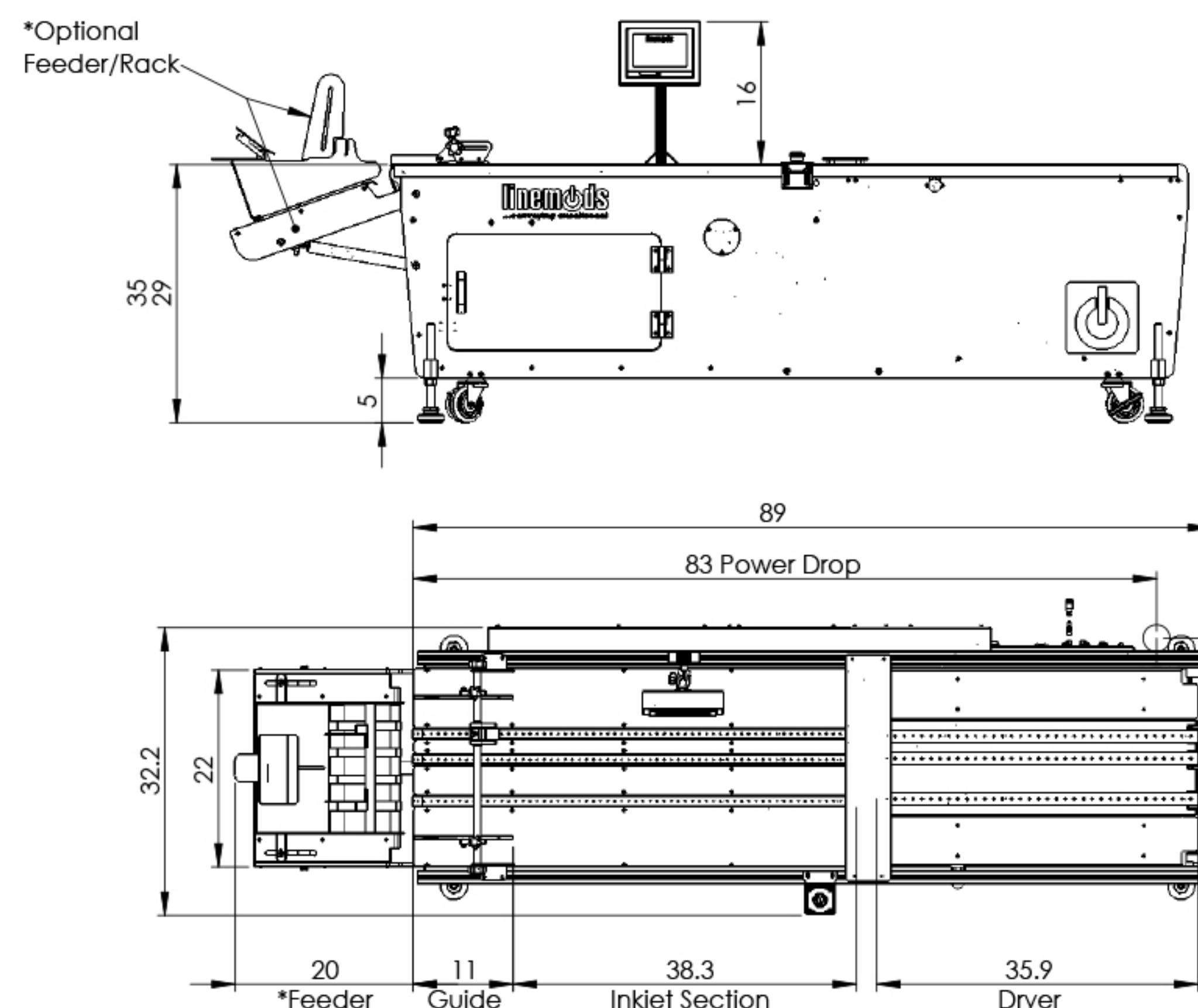
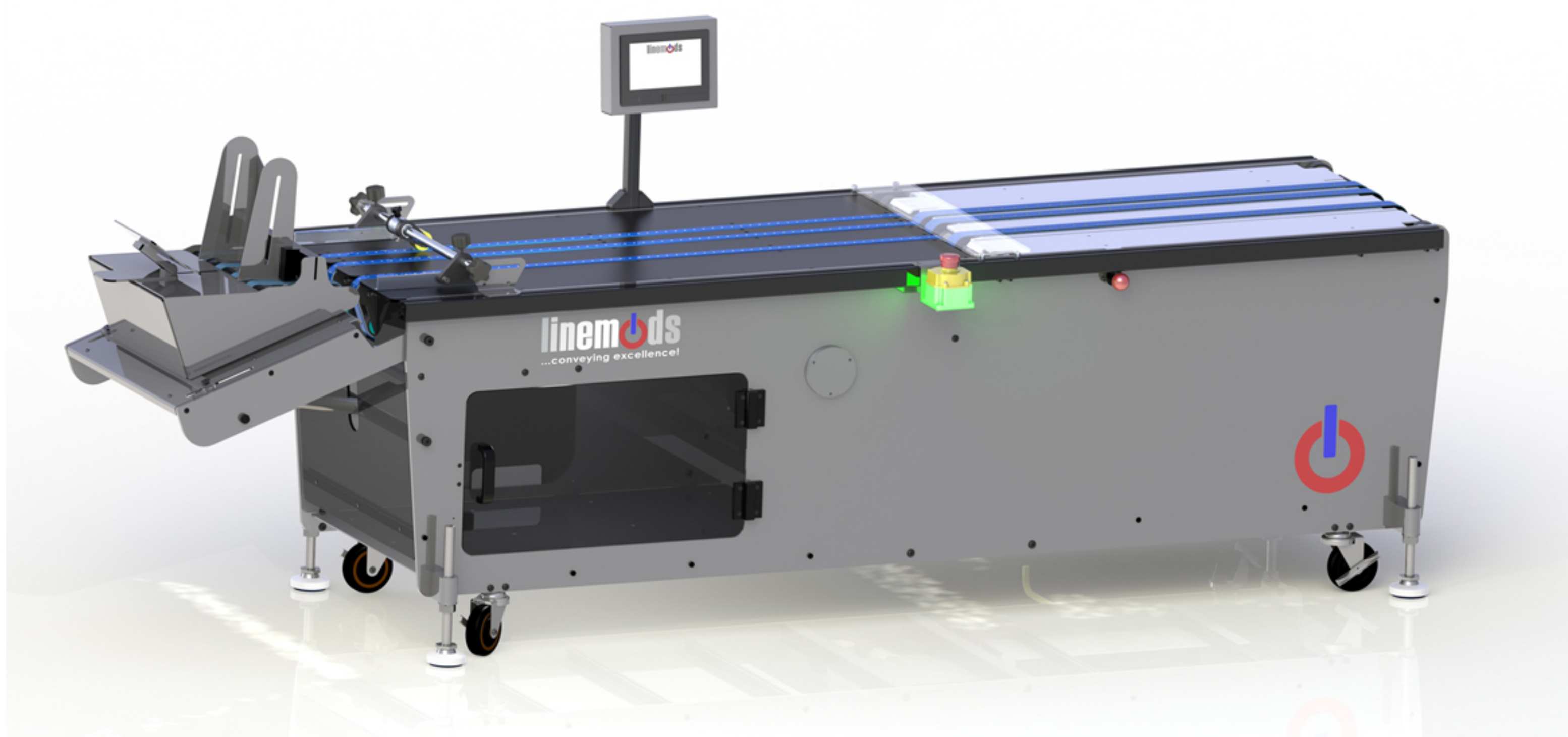
6' Premium Inkjet Base



Power Requirement:
200-240V 1 Phase 30AMP
Female Receptacle L6-30C
Male Plug L6-30P
Weight: 450 Lbs

Stealth 207

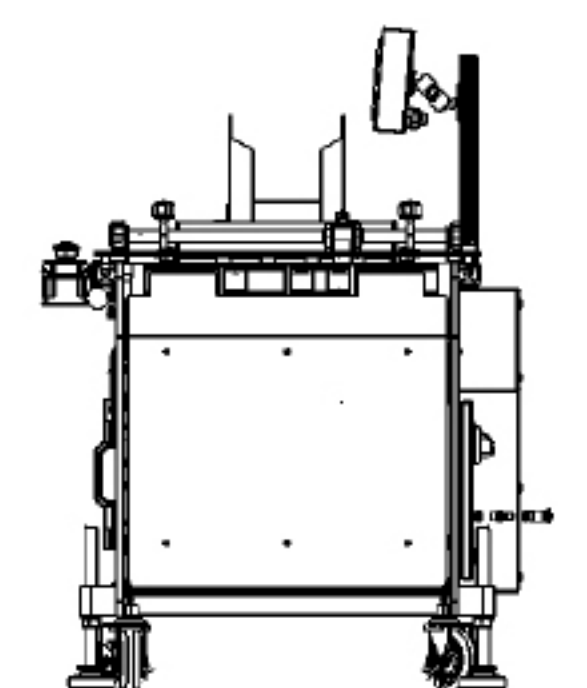
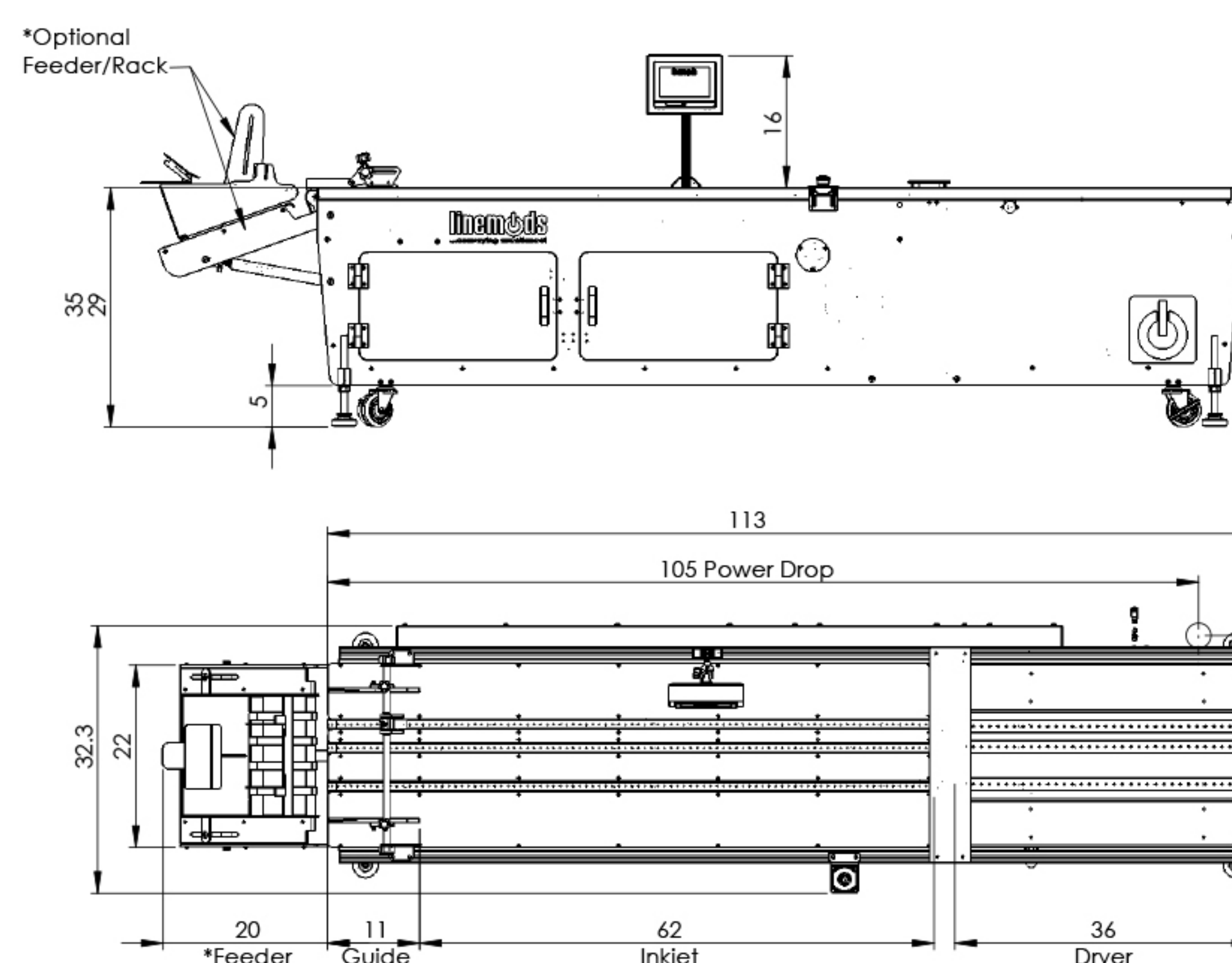
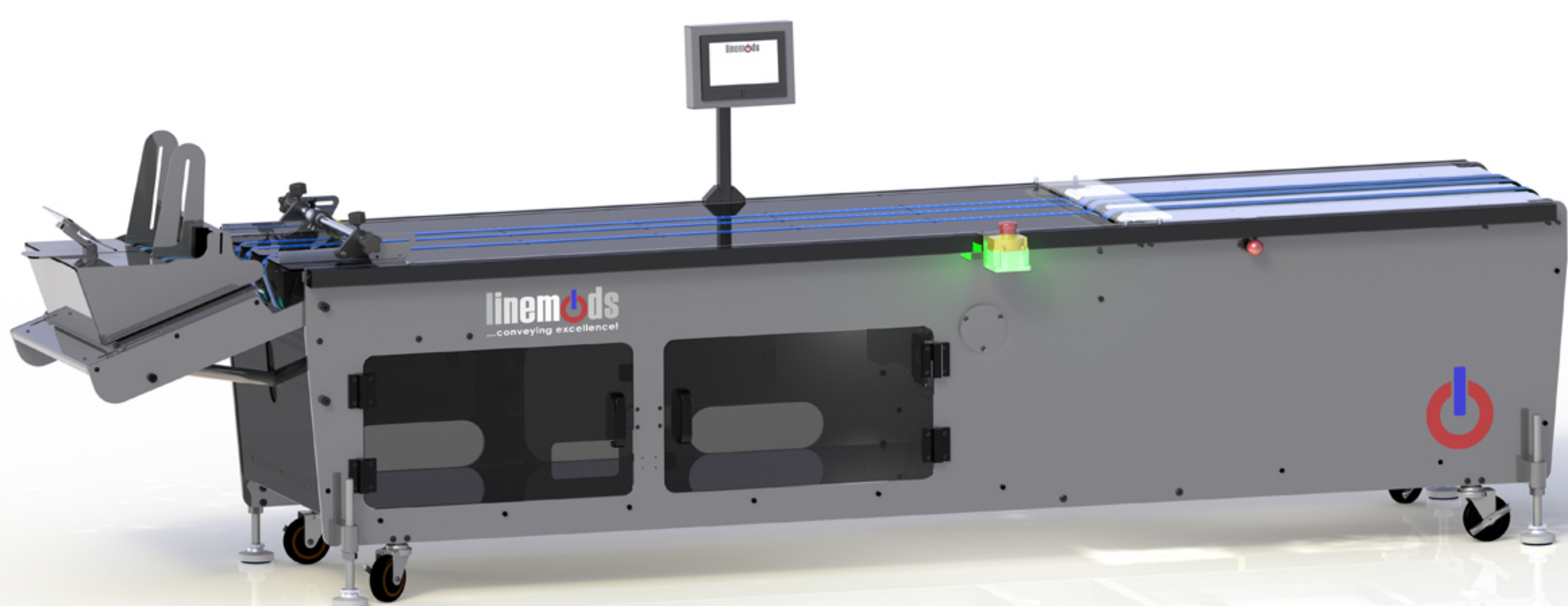
7' Premium Inkjet / Dryer Base Split Base with High-Temp Dryer Extension



Power Requirement:
200-240V 1 Phase 30AMP
Female Receptacle L6-30C
Male Plug L6-30P
Weight: 515 Lbs

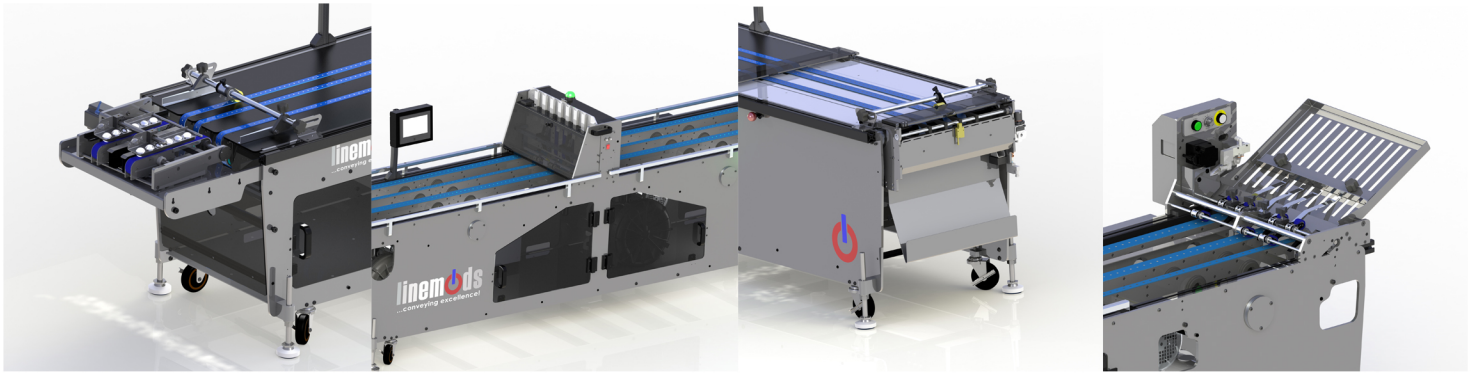
Stealth 209

9' Premium Inkjet / Dryer Base Split Base with High-Temp Dryer Extension



Power Requirement:
200-240V 1 Phase 30AMP
Female Receptacle L6-30C
Male Plug L6-30P
Weight: 595 Lbs

Accessories



Alignment Table

Rota-Flip

Down Divert

Up Divert 20

Quality Without Compromise

Linemods Premium Inkjet - Quality without compromise, from the innovative vacuum system to the powder coated aluminum frames. Perform quick, easy setups - Linemods "Stealth" systems incorporate our patented "I Series" transport design.

System Design & Details:

All Linemods "Stealth" units are performance engineered to deliver an optimum supply of vacuum without stalling conveyor or stressing pump - We use regenerative turbine vacuum system with pressure sensors to precisely control the vacuum pressure - Linemods offers the most innovative, high performance vacuum conveyor systems available.

Feature attributes:

- > Touch-screen HMI
- > 2 year warranty
- > Simple electrical/drive components
- > Minimal tools needed to perform most set-ups/changeovers
- > Vacuum belt construction is of a friction resistant backer, perforated for vacuum integration - Timing belts provide skew free operation on the inkjet section
- > Component design - All pivot points have bearings, all components designed to last

Attributes

- > .5mm belt height (from deck)
- > Advanced vacuum modulation system
- > 3/8" Powder coated aluminum frames
- > Adj. height +5" (12.7cm) from casters
- > Tool-less adjustments
- > Integrated encoder mount
- > Upstream/downstream, speed-following

Product Capacity

Width:

2" - 21" (53cm)

Speed:

600 (183m) or optional 1000 (305m) LFPM

Product thickness range: .05mm - 13mm

Product width range: 2" - 21"

Electrical: 200-240v 1 Ph / 30amps

We can create equipment to fit your needs with optional colors, deck heights, segment configurations, and special guarding.

linemods
...conveying excellence!



(815) 524-7700
www.Linemods.com